

THIS DRAWING IS UNPUBLISHED. RELEASED FOR PUBLICATION BY TYCO ELECTRONICS CORPORATION. ALL RIGHTS RESERVED.

REVISIONS							
P	LTR	DESCRIPTION			DATE	DWN	APVD
G12		REVISED PER ECO-07-014896			6/25/07	SS	SRY


LOC	DIST													DIM B	DIM A	NO. OF POS.	PART NO.
-	-	-	-	-	-	-	-	-	-	-	-	-	-	190.2	197.7	19	1-1546306-9
-	-	-	-	-	-	-	-	-	-	-	-	-	-	180.7	188.2	18	1-1546306-8
-	-	-	-	-	-	-	-	-	-	-	-	-	-	171.2	178.7	17	1-1546306-7
-	-	-	-	-	-	-	-	-	-	-	-	-	-	161.7	169.2	16	1-1546306-6
△2△3△4	-	-	-	-	-	-	-	-	-	-	-	-	-	152.2	159.7	15	6-1546306-2
-	-	-	-	-	-	-	-	-	-	-	-	-	-	152.2	159.7	15	1-1546306-5
-	-	-	-	-	-	-	-	-	-	-	-	-	-	142.7	150.2	14	1-1546306-4
-	-	-	-	-	-	-	-	-	-	-	-	-	-	133.2	140.7	13	1-1546306-3
△3△5	-	-	-	-	-	-	-	-	-	-	-	-	-	123.7	131.2	12	4-1546306-0
△3△4	-	-	-	-	-	-	-	-	-	-	-	-	-	123.7	131.2	12	3-1546306-3
-	-	-	-	-	-	-	-	-	-	-	-	-	-	123.7	131.2	12	1-1546306-2
△6	-	-	11	-	-	-	-	-	-	-	-	-	-	114.2	121.7	11	5-1546306-2
△1△3	-	-	-	2	-	-	-	-	11	-	-	-	-	114.2	121.7	11	3-1546306-4
△3	-	-	-	-	-	-	-	-	11	-	-	-	-	114.2	121.7	11	3-1546306-1
-	-	-	-	-	-	-	-	-	-	-	-	-	-	114.2	121.7	11	1-1546306-1
△1	-	-	-	-	-	-	-	10	3	-	-	-	-	104.7	112.2	10	6-1546306-0
△3△6	-	-	-	-	-	-	-	-	-	-	-	-	-	104.7	112.2	10	5-1546306-8
-	-	-	-	-	-	-	-	-	-	-	-	-	-	104.7	112.2	10	1-1546306-0
△3△6	-	-	-	-	-	-	-	-	-	-	-	-	-	95.2	102.7	9	5-1546306-6
-	-	-	-	-	-	-	-	-	-	-	-	-	-	95.2	102.7	9	1546306-9
-	-	-	-	-	-	-	-	-	8	-	-	-	-	85.7	93.2	8	5-1546306-9
△3△5	-	-	-	-	-	-	-	-	-	-	-	-	-	85.7	93.2	8	3-1546306-9
-	-	-	-	-	-	-	-	-	-	-	-	-	-	85.7	93.2	8	1546306-8
△3△6	-	-	-	-	-	-	-	-	-	-	-	-	-	76.2	83.7	7	5-1546306-5
△1	-	-	-	1	-	-	7	-	-	-	-	-	-	76.2	83.7	7	5-1546306-0
-	-	-	-	-	-	-	-	-	-	7	7	7	7	76.2	83.7	7	4-1546306-5
△3	-	-	-	-	-	-	-	-	-	7	-	-	-	76.2	83.7	7	3-1546306-7
-	-	-	-	-	-	-	-	-	-	-	-	-	-	76.2	83.7	7	1546306-7
△3△6	-	-	-	-	-	-	-	-	-	-	-	-	-	66.7	74.2	6	5-1546306-4
△1△3	-	-	-	-	-	1	6	-	-	-	-	-	-	66.7	74.2	6	4-1546306-9
-	-	-	-	-	6	-	-	-	-	-	-	-	-	66.7	74.2	6	4-1546306-8
-	-	-	-	-	-	-	-	-	-	-	6	6	6	66.7	74.2	6	4-1546306-4
△3	-	-	-	-	-	-	-	-	-	6	-	-	-	66.7	74.2	6	3-1546306-6
-	-	-	-	-	-	-	-	-	-	-	-	-	-	66.7	74.2	6	1546306-6
△6	-	-	-	-	-	-	-	5	-	-	-	-	-	57.2	64.7	5	5-1546306-7
△6	5	-	-	-	-	-	-	-	-	-	-	-	-	57.2	64.7	5	5-1546306-3
△1△3	SCREW ON ONE SIDE	-	-	-	-	-	-	-	-	-	-	-	-	57.2	64.7	5	4-1546306-7
-	-	-	-	-	-	-	-	-	-	-	5	5	5	57.2	64.7	5	4-1546306-3
△3	-	-	-	-	-	-	-	-	-	5	-	-	-	57.2	64.7	5	3-1546306-5
-	-	-	-	-	-	-	-	-	-	-	-	-	-	57.2	64.7	5	1546306-5
△3△5	-	-	-	-	-	-	-	-	-	-	4	4	4	47.7	55.2	4	4-1546306-2
-	-	-	-	-	-	-	-	-	-	-	-	-	-	47.7	55.2	4	3-1546306-8
-	-	-	-	-	-	-	-	-	-	-	-	-	-	47.7	55.2	4	1546306-4
-	3	-	-	-	-	-	-	-	-	-	-	-	-	38.2	45.7	3	6-1546306-1
-	-	-	-	-	-	-	-	-	-	-	-	-	-	38.2	45.7	3	5-1546306-1
-	-	-	-	-	-	-	-	-	-	-	-	-	-	38.2	45.7	3	1546306-3
△3	-	-	-	-	-	-	-	2	2	2	-	-	-	28.7	36.2	2	4-1546306-6
-	-	-	-	-	2	2	2	-	-	-	-	-	-	28.7	36.2	2	4-1546306-1
-	-	-	-	-	-	-	-	-	-	-	-	-	-	28.7	36.2	2	1546306-2

NOTES	(12) QC TAB DBL .187 SS FLAT	(11) QC TAB DBL .187 SS 90°	(10) JUMPER	(9) QC TAB DBL SIDE 90° .250	(8) QC TAB DBL SIDE 45° .250	(7) QC TAB DBL SIDE FLAT .250	(6) QC TAB DBL SIDE 90° .187	(5) QC TAB DBL SIDE 45° .187	(4) QC TAB DBL SIDE FLAT .187	(3) QC TAB SGL SIDE 90° .250	(2) QC TAB SGL SIDE 45° .250	(1) QC TAB SGL SIDE FLAT .250	DIM B	DIM A	NO. OF POS.	PART NO.
-------	------------------------------	-----------------------------	-------------	------------------------------	------------------------------	-------------------------------	------------------------------	------------------------------	-------------------------------	------------------------------	------------------------------	-------------------------------	-------	-------	-------------	----------

THIS DRAWING IS A CONTROLLED DOCUMENT.		DWN S SCHLEGEL	20AUG2002
DIMENSIONS: MM		CHK C RICHARD	8/20/02
TOLERANCES UNLESS OTHERWISE SPECIFIED:		APVD C RICHARD	8/20/02
0 PLC ± -	1 PLC ± 0.3	PRODUCT SPEC	NAME
2 PLC ± 0.25	3 PLC ± -	APPLICATION SPEC	9.50MM (.374) DBL ROW BARRIER STRIP W/O WASHER
4 PLC ± -	ANGLES ± 2'	WEIGHT	SIZE A2
MATERIAL	FINISH	CAGE CODE	00779
		DRAWING NO.	C=1546306
CUSTOMER DRAWING	SCALE NTS	SHEET	1 OF 3
		REV	G12

 Tyco Electronics Corporation Harrisburg, PA 17105	RESTRICTED TO -
--	--------------------

THIS DRAWING IS UNPUBLISHED. RELEASED FOR PUBLICATION  
 © COPYRIGHT BY TYCO ELECTRONICS CORPORATION. ALL RIGHTS RESERVED.

LOC	DIST	REVISIONS			
P	LTR	DESCRIPTION	DATE	DWN	APVD
FT	0	SEE SHEET 1	-	-	-

PHYSICAL PROPERTIES:  
 HOUSING MATERIAL: THERMOPLASTIC, PC  
 FLAMMABILITY: UL94V-0 COLOR: BLACK  
 MAX BOW/WARP: .0056 IN/IN.

TERMINAL:  
 TERMINALS: BRASS, TIN PLATED  
 SCREWS: 6-32, STEEL, NICKEL PLATED

MECHANICAL:  
 PITCH (TERMINAL SPACING): 9.50mm(.374")  
 WIRE RANGE: 12-22 AWG  
 RECOMMENDED TIGHTENING TORQUE: 12IN-LBS MAX.

ELECTRICAL PROPERTIES:  
 MAXIMUM CURRENT: 20A  
 OPERATING VOLTAGE: 300V

ENVIRONMENTAL PROPERTIES:  
 OPERATING TEMP RANGE: -40°C TO +120°C.

- △ SEE FIGURE.
- △ MARKED WITH WHITE INK.
- △ PRELIMINARY PART NUMBER.
- △ SCREWS AND TERMINALS ARE NICKEL PLATED BRASS.
- △ STAINLESS STEEL SCREWS.
- △ SCREWS ARE NICKEL PLATED BRASS.

-- SELECT LOAD CHART --

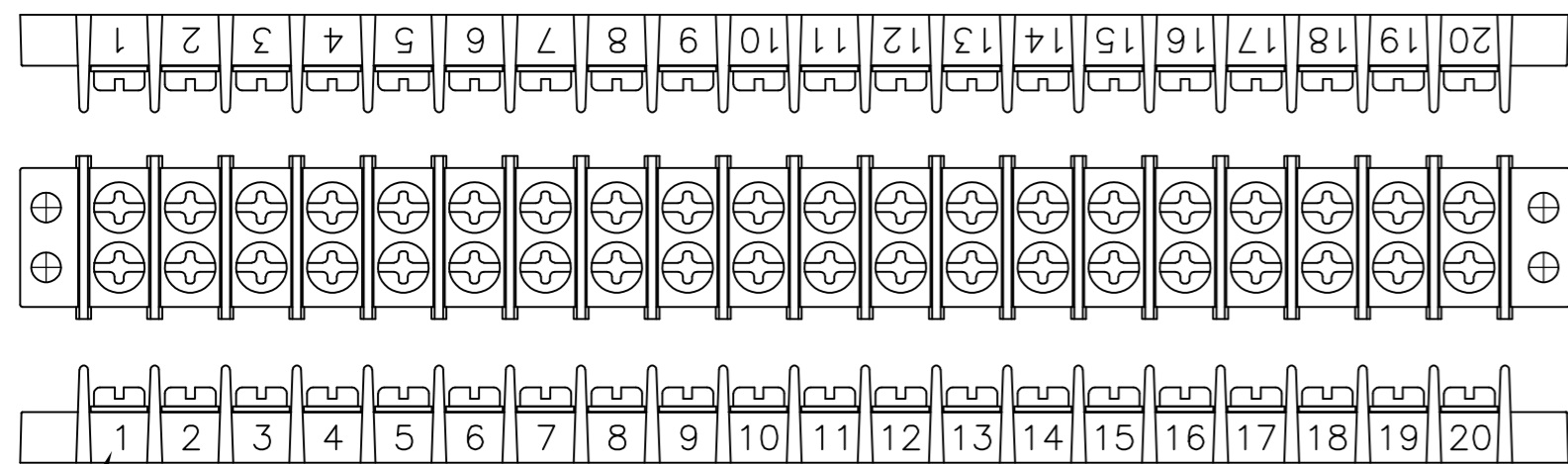
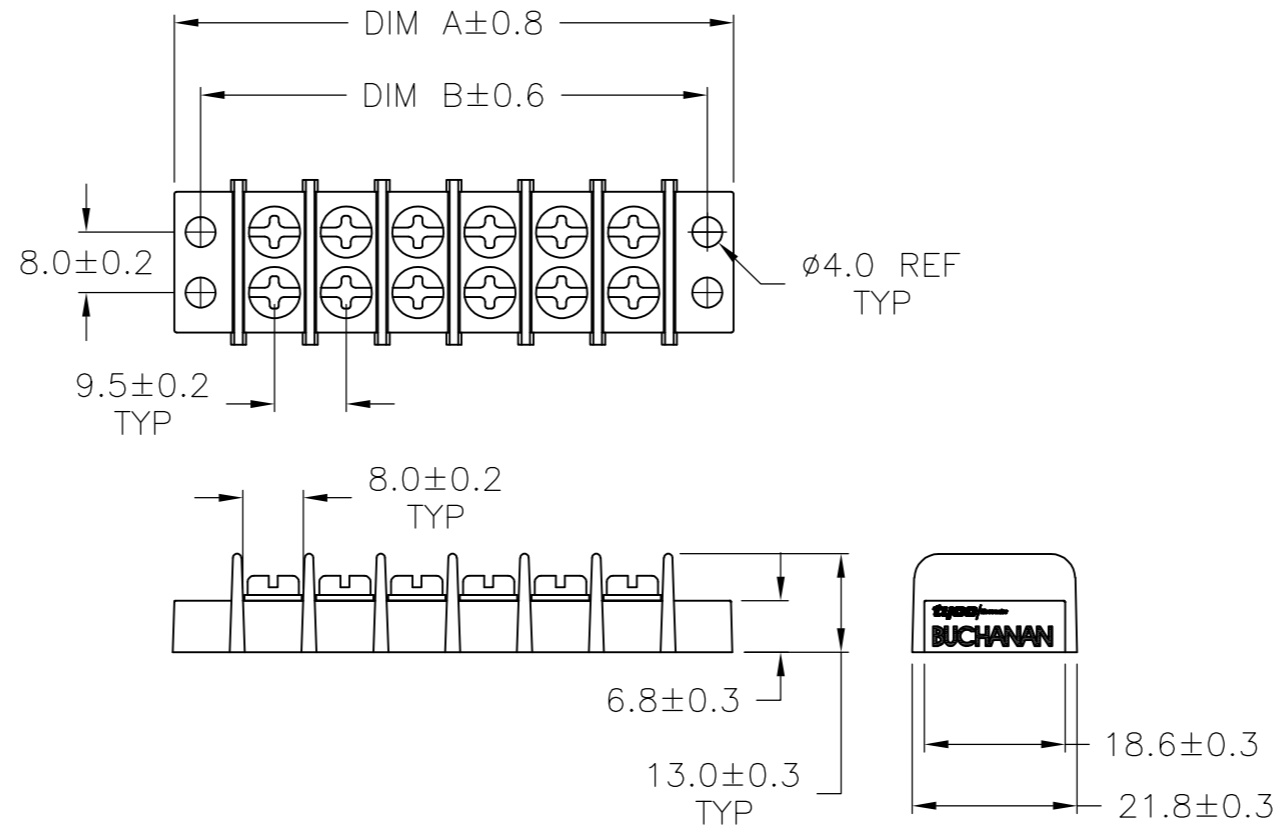
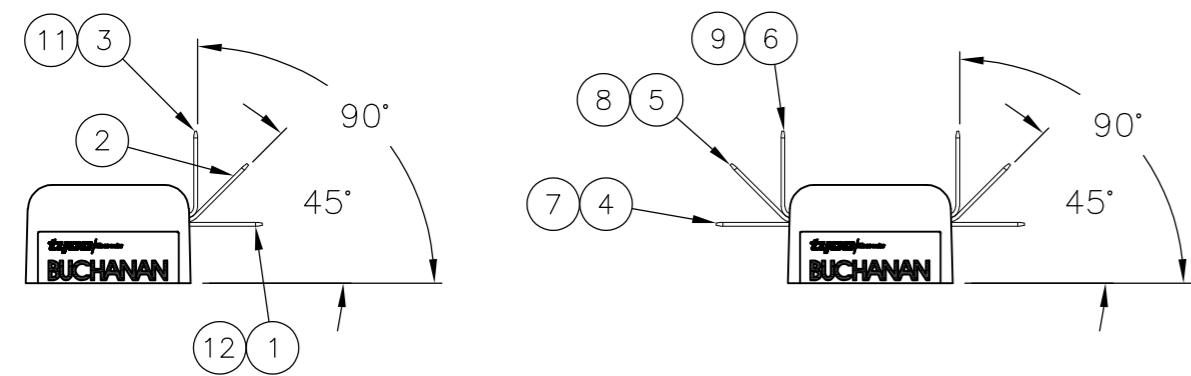
-	-	4-5,5-6	-	-	-	-	ALL	-	-	-	-	11	3-1546306-4
-	-	-	-	-	-	-	ALL	1-3	-	-	-	10	6-1546306-0
-	-	1,2	-	-	ALL	-	-	-	-	-	-	7	5-1546306-0
-	-	-	-	1	ALL	-	-	-	-	-	-	6	4-1546306-9
⑫ QC TAB .187 SS FLAT	⑪ QC TAB .187 SS 90°	⑩ JUMPER	⑨ QC TAB DBL SIDE 90° .250	⑧ QC TAB DBL SIDE 45° .250	⑦ QC TAB DBL SIDE FLAT .250	⑥ QC TAB DBL SIDE 90° .187	⑤ QC TAB DBL SIDE 45° .187	④ QC TAB DBL SIDE FLAT .187	③ QC TAB SGL SIDE 90° .250	② QC TAB SGL SIDE 45° .250	① QC TAB SGL SIDE FLAT .250	NO. OF POS.	PART NUMBER
POSITIONS LOADED													

-	-	-	-	-	-	-	-	-	-	-	-	294.7	302.2	30	3-1546306-0	
-	-	-	-	-	-	-	-	-	-	-	-	285.2	292.7	29	2-1546306-9	
-	-	-	-	-	-	-	-	-	-	-	-	275.7	283.2	28	2-1546306-8	
-	-	-	-	-	-	-	-	-	-	-	-	266.2	273.7	27	2-1546306-7	
-	-	-	-	-	-	-	-	-	-	-	-	256.7	264.2	26	2-1546306-6	
-	-	-	-	-	-	-	-	-	-	-	-	247.2	254.7	25	2-1546306-5	
-	-	-	-	-	-	-	-	-	-	-	-	237.7	245.2	24	2-1546306-4	
-	-	-	-	-	-	-	-	-	-	-	-	228.2	235.7	23	2-1546306-3	
-	-	-	-	-	-	-	-	-	-	-	-	218.7	226.2	22	2-1546306-2	
-	-	-	-	-	-	-	-	-	-	-	-	209.2	216.7	21	2-1546306-1	
△△△ SPL MARKING	-	-	-	-	-	-	-	-	-	-	-	199.7	207.2	20	3-1546306-2	
-	-	-	-	-	-	-	-	-	-	-	-	199.7	207.2	20	2-1546306-0	
NOTES	⑫ QC TAB .187 SS FLAT	⑪ QC TAB .187 SS 90°	⑩ JUMPER	⑨ QC TAB DBL SIDE 90° .250	⑧ QC TAB DBL SIDE 45° .250	⑦ QC TAB DBL SIDE FLAT .250	⑥ QC TAB DBL SIDE 90° .187	⑤ QC TAB DBL SIDE 45° .187	④ QC TAB DBL SIDE FLAT .187	③ QC TAB SGL SIDE 90° .250	② QC TAB SGL SIDE 45° .250	① QC TAB SGL SIDE FLAT .250	DIM B	DIM A	NO. OF POS.	PART NO.

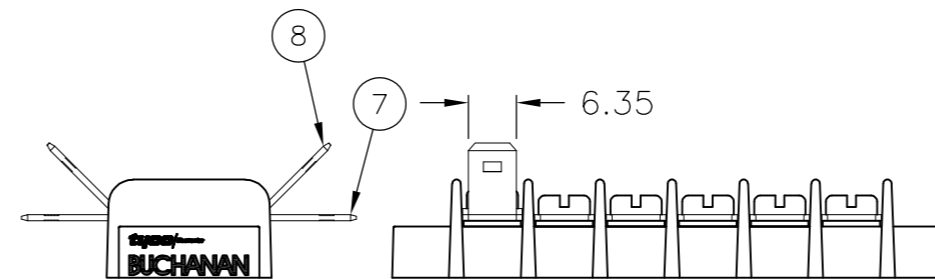
THIS DRAWING IS A CONTROLLED DOCUMENT.		DWN S SCHLEGEL 20AUG2002	Tyco Electronics Corporation Harrisburg, PA 17105	
DIMENSIONS: MM		CHK C RICHARD 8/20/02	NAME 9.50MM (.374) DBL ROW BARRIER STRIP W/O WASHER	
TOLERANCES UNLESS OTHERWISE SPECIFIED: 0 PLC ± - 1 PLC ± 0.3 2 PLC ± 0.25 3 PLC ± - 4 PLC ± - ANGLES ± 2°		APVD C RICHARD 8/20/02	PRODUCT SPEC	
MATERIAL		FINISH	APPLICATION SPEC	RESTRICTED TO
		WEIGHT	SCALE A2	CAGE CODE 00779
		CUSTOMER DRAWING	DRAWING NO C=1546306	REV G12
			SCALE NTS	SHEET 2 OF 3

THIS DRAWING IS UNPUBLISHED. RELEASED FOR PUBLICATION  
 © COPYRIGHT BY TYCO ELECTRONICS CORPORATION. ALL RIGHTS RESERVED.

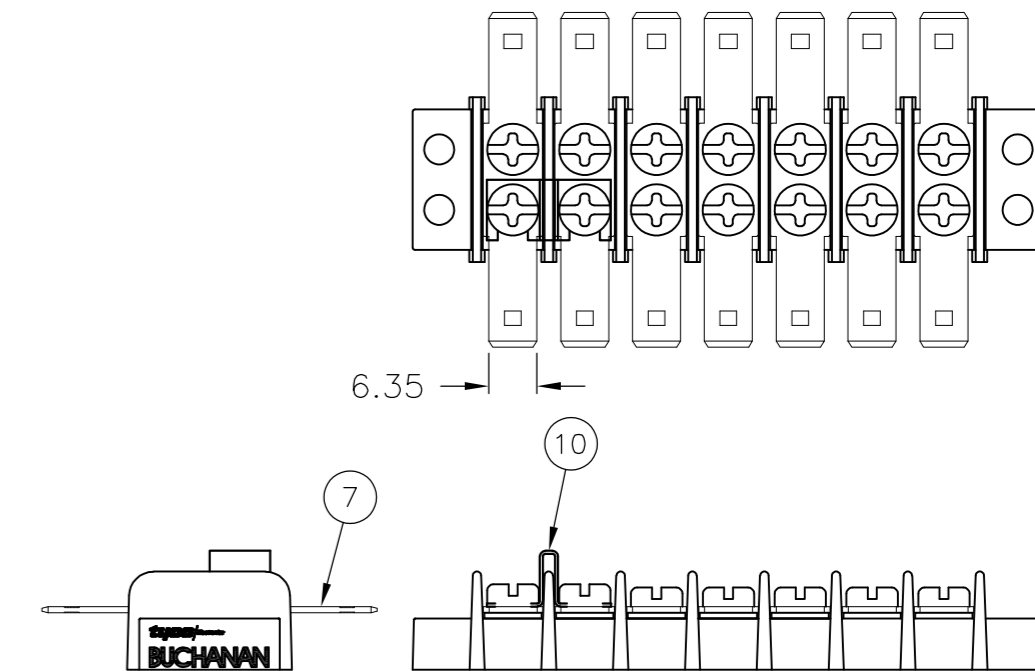
LOC		DIST		REVISIONS			
P	LTR	DESCRIPTION	DATE	DWN	APVD		
FT	0	SEE SHEET 1	-	-	-		



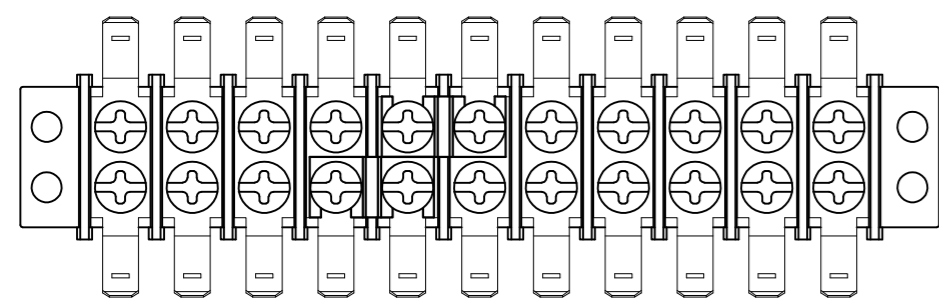
3-1546306-2



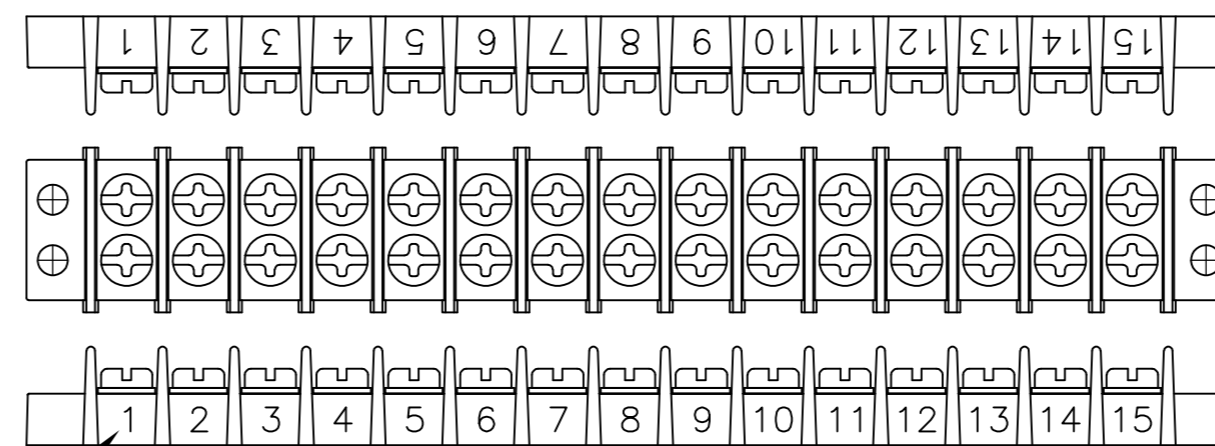
4-1546306-9



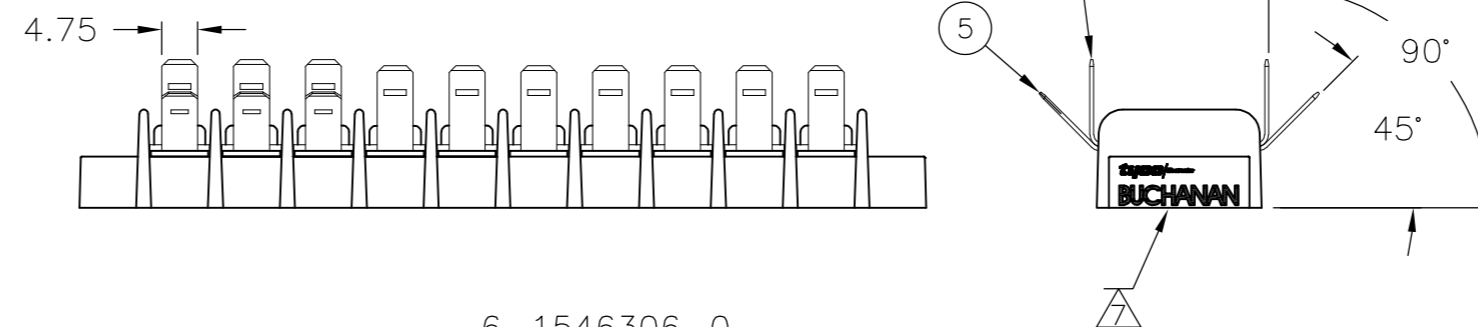
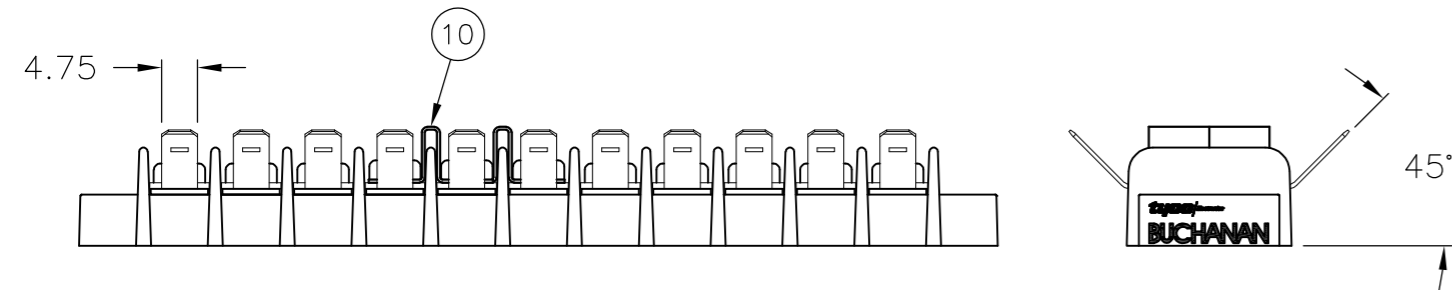
5-1546306-0



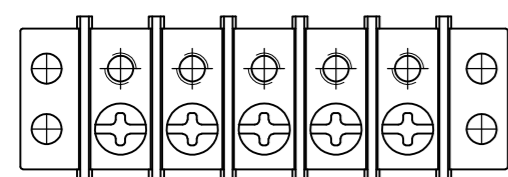
3-1546306-4



6-1546306-2



6-1546306-0



4-1546306-7

THIS DRAWING IS A CONTROLLED DOCUMENT.		DWN	20AUG2002	Tyco Electronics Corporation	
DIMENSIONS: MM		S	SCHLEGEL	Harrisburg, PA 17105	
TOLERANCES UNLESS OTHERWISE SPECIFIED:		CHK	8/20/02	Tyco Electronics	
0 PLC ± -		C	RICHARD	9.50MM (.374) DBL ROW BARRIER STRIP W/O WASHER	
1 PLC ± 0.3		APVD	8/20/02	SIZE	CAGE CODE
2 PLC ± 0.25		PRODUCT SPEC		A2	00779
3 PLC ± -		APPLICATION SPEC		SCALE	DRAWING NO
4 PLC ± -				NTS	C=1546306
ANGLES ± 2°		WEIGHT	-	SHEET	3 OF 3
MATERIAL		FINISH	-	REV	G12
		CUSTOMER DRAWING		RESTRICTED TO	